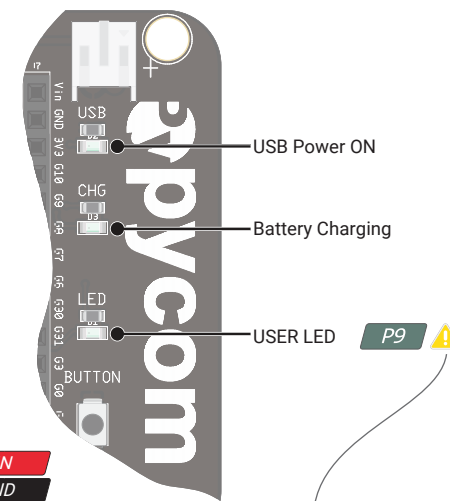
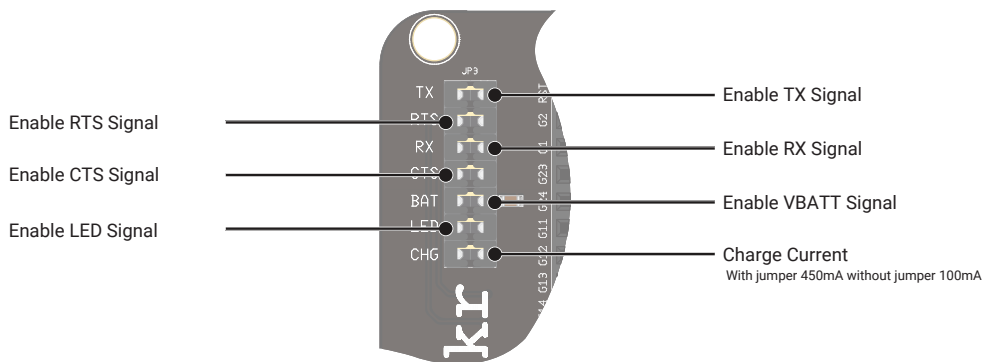
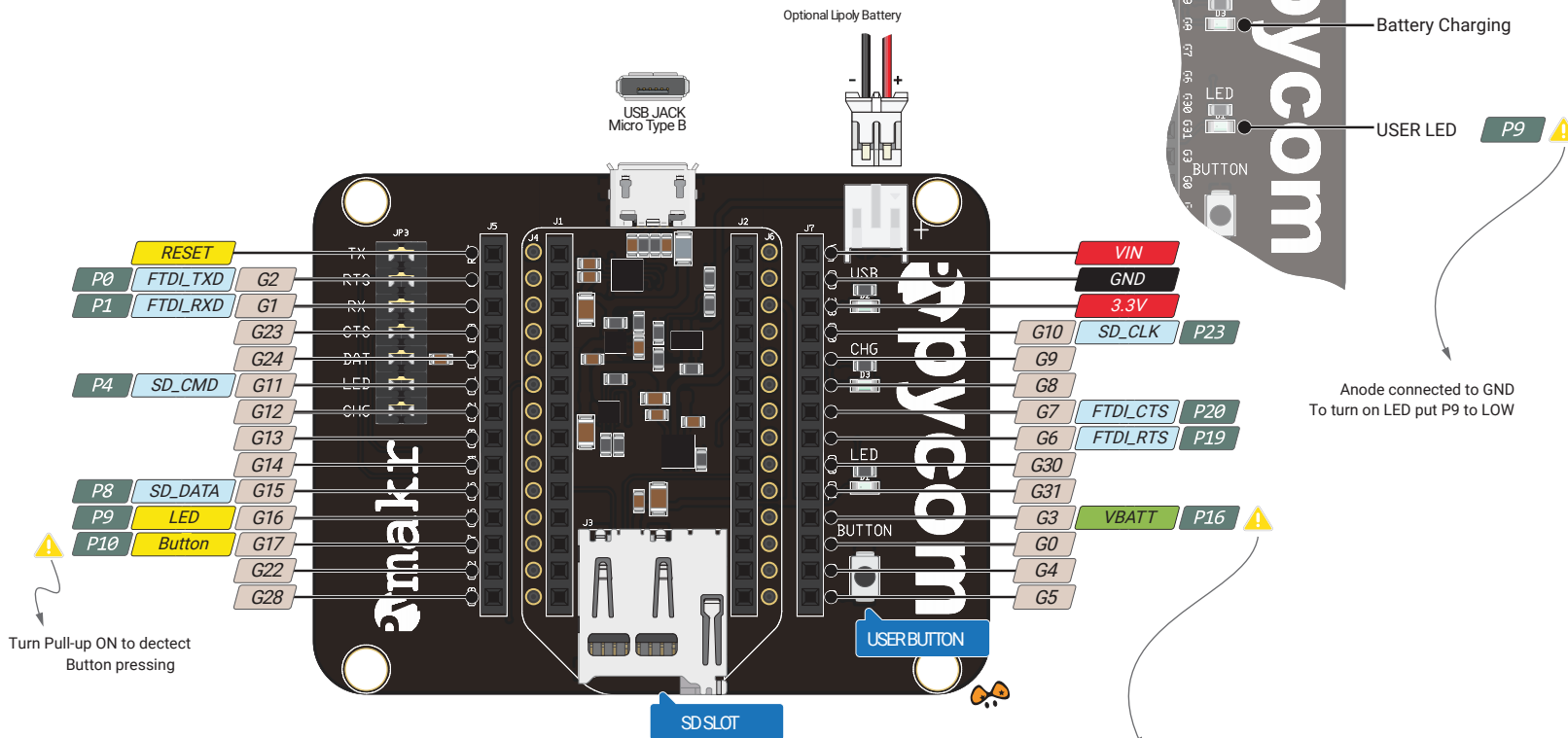


Expansion Board PINOUT



Anode connected to GND
To turn on LED put P9 to LOW

